

UBX-310D

Intel® Celeron® Quad Core J1900 SoC with Multiple I/Os Fanless Box PC



Features

- Intel Bay Trail Quad Core J1900, 2.0GHz up to 2.42GHz
- DDR3L 1333 MHz SO-DIMM memory support up to 8GB
- Display : VGA,HDMI
- Support 1 x 2.5" SATA HDD Bay and 1 x mSATA
- Multiple I/O: 6 x USB, 1 x LAN, 6x COM, 1 x RJ11, 1 x LPT
- Support 1 x Full-size MiniPCIe
- Lockable DC jack design
- Optional VESA
- Supports WISE-PaaS/RMM and Embedded Software APIs



Introduction

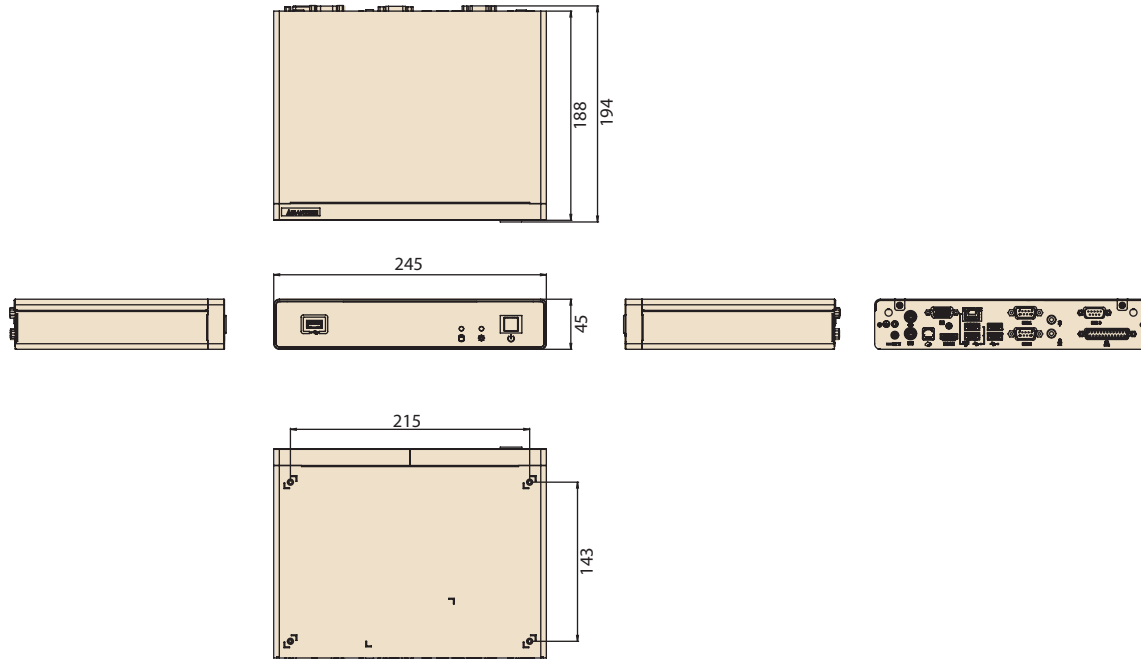
UBX-310D, an intelligent, fanless embedded system powered by Intel® Celeron™ J1900 Quad Core low power processor with multiple I/O interface. The new generation Intel® Celeron™ processor brings 300% improvement on processing power and 300% on graphics performance than previous generation Intel® Atom™ processors. These low-power platforms provide energy-efficient and environmentally responsible solutions, and serve applications targeted at factory automation, machine automation, retail, kiosks, and self-service applications.

Specifications

		UBX-310D-LOB0E	UBX-310D-F0B0E
Processor System	CPU	Intel Bay Trail Quad Core J1900	
	Max. Speed	2.0 GHz, Turbo Boost up to 2.42GHz	
	L2 Cache	2 MB	
	BIOS AMI	AMI EFI 64Mbit SPI	
Memory	Technology	Single channel DDR3L 1333MHz SDRAM	
	Max. Capacity	8 GB	
	Socket	1 x 204-pin SO-DIMM	
Graphics	Controller	Integrated Intel HD Graphics engine	
	HDMI	Up to 1920 x 1080 (@60Hz)	
	VGA	Up to SXGA 2560 x 1600 (@60Hz)	
Ethernet	LAN1	1 x RJ45, 10/100/1000 Mbps Realtek 8111E GbE	
Audio	Interface	Realtek ALC269, Line-out and Mic-in	
I/O Interface	Serial Port	3 x RS-232 ports, COM3 support 5V & 12V by order	
	USB	5 x USB 2.0 port	6 x RS-232 ports, COM3 support 5V & 12V by order 5 x USB 2.0 port, 1 x USB 3.0
	LPT	1 x LPT	
	RJ11	1 x RJ11, cash drawer, 24V default, 12V buy order	
Other	Watchdog	255-level timer interval, setup by software	
Expansion	Mini PCIe1	1 x Full-size Mini PCIe, supports WWAN module	
Storage	HDD	1 x SATA HDD Bay for 2.5" device	
	Solid State Disk	1 x mSATA	
Software Support	Microsoft Windows	Windows Embedded POSReady 7, Windows 7 Pro Embedded, Windows 8.1 Pro Embedded (64-bit)	
	Linux	Linux Kernel 3.13 or above (by project)	
Power Requirements	Power Type	ATX mode	
	Power Input Voltage	12 V _{DC} , ± 10%	
	Power Adapter	AC to DC, DC12V / 5A, 60W (Optional)	
Mechanical	Construction	Steel	
	Dimensions (W x H x D)	245 x 45 x 185 mm	
	Weight	2.0 kg	
Environment	Operating Temperature	With 2.5-inch hard disk 0 ~ 40° C (32 ~ 104° F) with 0.7 m/s air flow	
	Storage Temperature	-40 ~ 85° C (-40 ~ 185° F)	
	Relative Humidity	90% @ 40° C (non-condensing)	
	Vibration During Operation	With HDD: 0.5 Grms, IEC 60068-2-64, random, 5-500Hz, 3 axes, 1hr/axis	
	Shock During Operation	With HDD: 10 G, IEC 60068-2-27, half sine, 11 ms duration	
	EMC	CCC/BSMI/CE/FCC	
	Safety	CCC/BSMI/CB/UL	

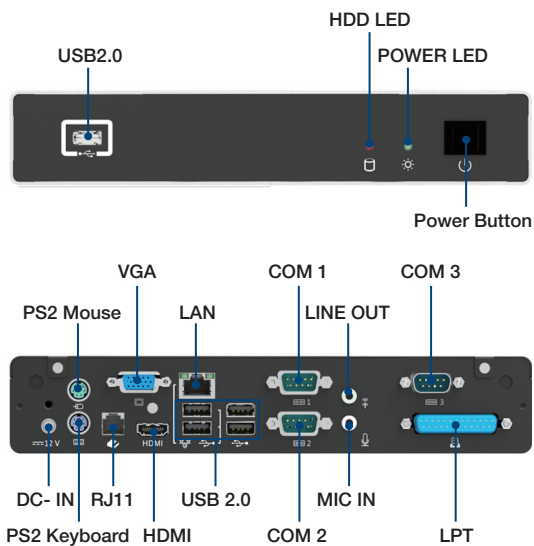
Dimensions

Unit: mm

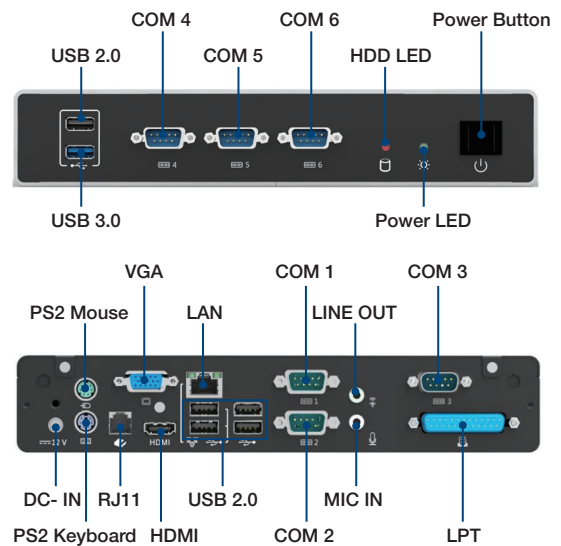


Fully- Integrated I/O

UBX-310D-L0B0E



UBX-310D-F0B0E



Ordering Information

PN	Description
UBX-310D-LOB0E	Intel Baytrail J1900 Fanless Mini Box PC w/o RAM and Storage
UBX-310D-F0B0E	Intel Baytrail J1900 Fanless Mini Box PC with extended IO configuration, w/o RAM and Storage

Installation Accessory

Accessory	PN	Description
RAM	AQD-SD3L4GN16-SG	For J1900 version, 4G, DDR3 204PIN 1600Mhz SO DIMM
	SQF-S25M4-64G-S9C	SQF 2.5" SSD 630 64G MLC (0 70C)
	SQF-S25M4-32G-S9C	SQF 2.5" SSD 630 32G MLC (0 70C)
	SQF-S25M4-128G-S9C	SQF 2.5" SSD 630 128G MLC (0 70C)
Storage	96ND500G-ST-SG5KA	SEAGATE 500G 2.5" SATAIII 5KRPM 16M(G)24*7
	96ND500G-ST-SG5KG	SG 2.5" 500G 5KRPM 7MM SATAIII 128MB
	SQF-SMSM4-64G-S9C	SQF MSATA 630 64G MLC (0 70C)
	SQF-SMSM4-32G-S9C	SQF MSATA 630 32G MLC (0 70C)
Wifi Module	EWM-W135F01E	802.11 a/b/g/n, Atheros AR9382, 2T2R Full size Mini PCIe
	1750005885*2	Internal antenna L=23cm SMALFR8-3230A-00X00R
	1750008717-01*2	Dipole Ant. D.B 2.4/5G WIFI 3dBi SMA/M-R BLK(outer antenna)
Power Cord	96CB-POEWR-B-1.8M1	Power Cord(China), 3P 1.8M, BK(CCC)
	17AP164900518011	Power Cord CEE 7/16+C13 10A/16A 250V L1.8M(CE)
	1700013977	Power Cord 10A 250V 3P 180/90 CCC 200cm(CCC)
	1702002600	Power Cord 3P UL/CSA 10A 125V 1.83M 180D(USA)
	1702002605	Power Cord 2P FRANCE 10A 250V 1.83M 90D(EU)
	1700001714	Power Cord BSMI 3P 7A 125V 18AWG 180CM(BSMI)
	1700000237	Power Cord 3P PSE 12A 125V 1.83M(Japan)
	1700018704	Power Cord BSI 3P 10A 250V 180cm(UK)
Mount Kit	HIP-33B-MOUNT1E	VESA MOUNT for UBX-310
Windows OS	2070014259	Image PODREADY7 UBX-310D V1.00 ENG CHS 32Bit
	2070014374	Image WES7P UBX-310D V1.00 ENG CHS 64Bit
	2070014375	Image WES7P UBX-310D V1.00 ENG CHS 32Bit
	2070014571	img Win7Pro UBX-310D X32 V1.0 SimpChn (ChinaBP)
	2070015072	Image WES7P UBX-310D V1.00 3MUI 64Bit
	20708WX6ES0006	Img WIN10 LTSB-6-U UBX-310D V1.00 7MUI 64Bit